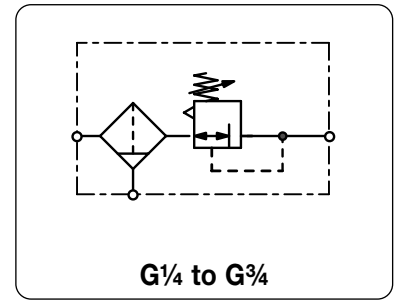


Description	Filter pressure regulator in modular design with large volume flow. Can be blocked with an oiler without use of a double nipple.		
Media	Compressed air or neutral gases		
Supply pressure	max. 17 bar		
Adjustment	with lockable adjustment knob for B520, with T-handle for B521, with adjustment screw for B522		
Relieving function	relieving, optionally non relieving		
Gauge port	G $\frac{1}{8}$ on both sides, screw plugs are supplied		
Filter element	40 μ m, optionally 5 μ m, sintered bronze		
Bowl	metal version with sight glass		
Drainage	manual drain as standard, optionally automatic drain max. 10 bar		
Temperature range	0 °C to 80 °C		
Material	Body: Alu die-cast	Bowl: Alu die-cast	Elastomer: NBR
	Spring cage: glass fibre-reinforced plastic		
	Inner valve: brass and plastic		



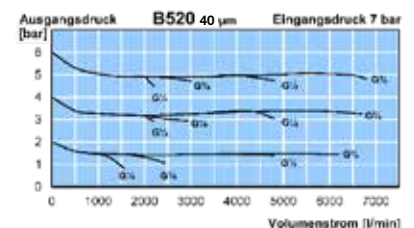
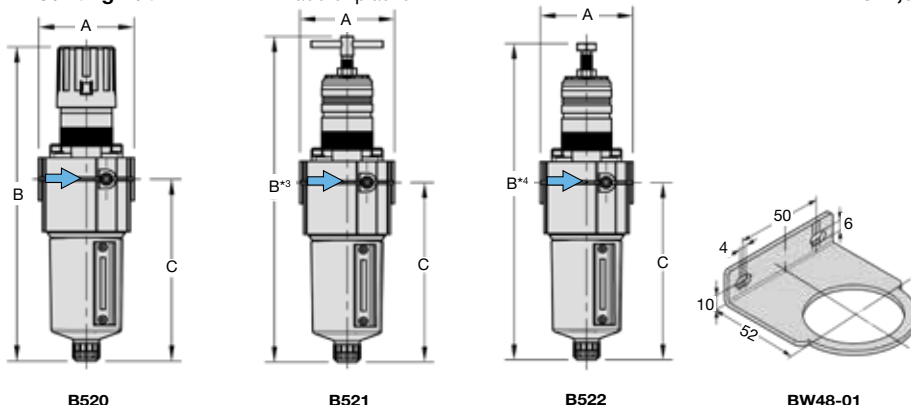
Dimensions			Bowl		Flow rate		P ₁	Connection	Pressure	Order
A	B	C	Design	Capacity	rate		max.	thread	range	number
mm	mm	mm	made of/with	l	m ³ /h*1	l/min*1	bar	G	bar	[A]*

Standard filter pressure regulator										with manual drain, relieving, max. 17 bar	B520
										without gauge, 40 μ m filter element	
85	282	165	metal/ sight glass	0.3	132	2200	17	G $\frac{1}{4}$	0.2 ... 2	2	B520-02WJA
									0.3 ... 3.5	3.5	B520-02WJB
									1.0 ... 10	10	B520-02WJC
									1.7 ... 17	17	B522-02WJD
85	282	165	metal/ sight glass	0.3	186	3100	17	G $\frac{3}{8}$	0.2 ... 2	2	B520-03WJA
									0.3 ... 3.5	3.5	B520-03WJB
									1.0 ... 10	10	B520-03WJC
									1.7 ... 17	17	B522-03WJD
85	282	165	metal/ sight glass	0.3	288	4800	17	G $\frac{1}{2}$	0.2 ... 2	2	B520-04WJA
									0.3 ... 3.5	3.5	B520-04WJB
									1.0 ... 10	10	B520-04WJC
									1.7 ... 17	17	B522-04WJD
85	282	165	metal/ sight glass	0.3	408	6800	17	G $\frac{3}{4}$	0.2 ... 2	2	B520-06WJA
									0.3 ... 3.5	3.5	B520-06WJB
									1.0 ... 10	10	B520-06WJC
									1.7 ... 17	17	B522-06WJD



Special options, add the appropriate letter			
T-handle	with locknut	up to 10 bar	B + 20 mm *3 B521-0.W . .
adjustment screw	with locknut	up to 10 bar	B + 20 mm *4 B522-0.W . .
5 μm Filter element			B52.- 0.WG .
non relieving	without relieving function		B52.- 0.W . . K
automatic drain	SA-500, max. 10 bar		B52.- 0.W . . R
flange connection	according to EN-1092-1 or ASME B16.5	on request	B52.- 0.W . . F.

Accessories, enclosed		
pressure gauge	Ø 50 mm, 0...*2 bar, G $\frac{1}{8}$	MA5001- . . *2
mounting bracket	made of stainless steel	BW48-01
mounting nut	made of plastic	M48x1,5K



*1 at 8 bar supply pressure, 6 bar outlet pressure and 1 bar pressure drop
 *2 02 = 0...2.5 bar, 04 = 0...4 bar, 06 = 0...6 bar, 10 = 0...10 bar, 16 = 0...16 bar, 25 = 0...25 bar

* Product group

Extensions: see chapter for FRL service units
 Gauges: see chapter for measuring devices

PDF CAD
 www.aircom.net

Order example:
 B520-02WJA